



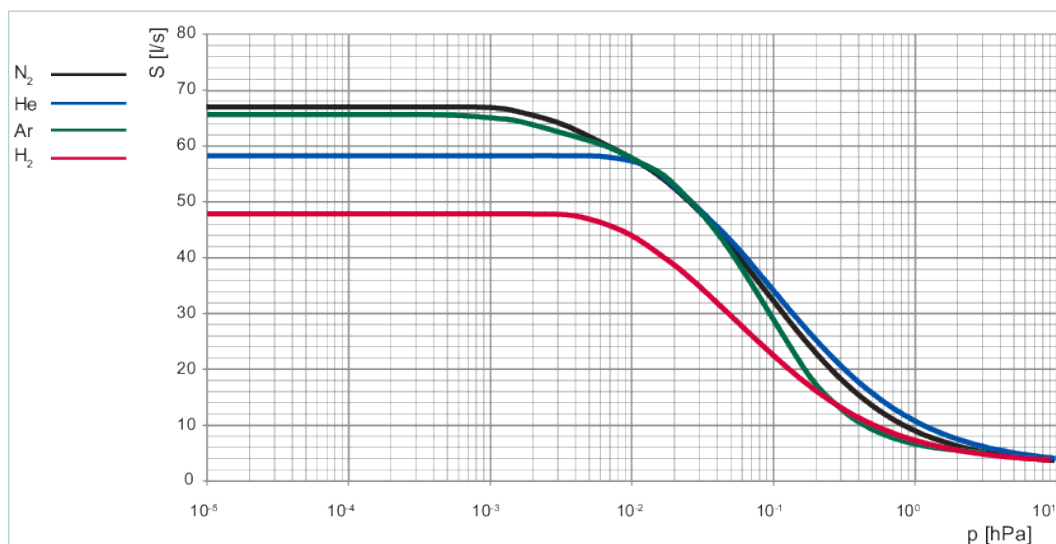
HiPace[®] 80 Neo with TC 80, DN 63 ISO-K



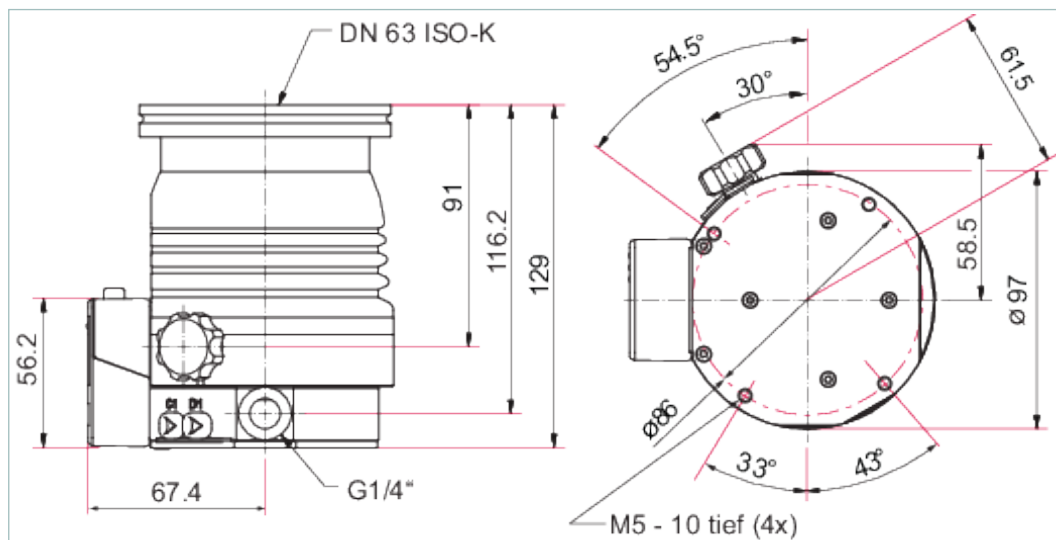
Similar Image

HiPace® 80 Neo with TC 80, DN 63 ISO-K

- Small yet powerful turbopump with a pumping speed of up to 67 l/s for N₂
- TC 80 integrated electronic drive unit
- For installation in any orientation
- Ideal for dependable systems integration
- Extensive accessories expand the range of applications



Dimensions



Technical Data	HiPace® 80 Neo with TC 80, DN 63 ISO-K
Bearing	Hybrid
Compression ratio for Ar	1 · 10 ¹¹
Compression ratio for H ₂	1.4 · 10 ⁵
Compression ratio for He	1.3 · 10 ⁷
Compression ratio for N ₂	1 · 10 ¹¹
Connection flange (in)	DN 63 ISO-K
Connection flange (out)	G 1/4"
Cooling method	Convection

Technical Data	HiPace® 80 Neo with TC 80, DN 63 ISO-K
Cooling method, optional	Air Water
Cooling water flow	75 l/h
Cooling water flow, max.	75 l/h
Cooling water flow, min.	75 l/h
Cooling water temperature	5-25 °C 41-77 °F 278-298 K
Current, max.	5,6 A
Electronic drive unit	with TC 80
Final pressure without gas ballast	1 · 10 ⁻⁷ hPa 7.5 · 10 ⁻⁸ Torr 1 · 10 ⁻⁷ mbar
Fore-vacuum max. for N ₂	22 hPa 16.5 Torr 22 mbar
Gas throughput at final rotation speed for Ar	0.54 hPa·l/s
Gas throughput at final rotation speed for H ₂	15.3 hPa·l/s
Gas throughput at final rotation speed for He	2.7 hPa·l/s
Gas throughput at final rotation speed for N ₂	1.3 hPa·l/s
Gas throughput at full rotational speed, short term, for Ar	2 hPa·l/s
Gas throughput at full rotational speed, short term, for H ₂	30 hPa·l/s
Gas throughput at full rotational speed, short term, for He	8 hPa·l/s
Gas throughput at full rotational speed, short term, for N ₂	4 hPa·l/s
I/O interfaces	RS-485, Remote
Mounting orientation	Arbitrary
Permissible axial magnetic field max.	23 mT
Permissible radial magnetic field max.	3.7 mT
Power consumption max.	110 W
Pumping speed for Ar	66 l/s
Pumping speed for H ₂	48 l/s
Pumping speed for He	58 l/s
Pumping speed for N ₂	67 l/s
Rotation speed ± 2 %	90,000 rpm 90,000 min ⁻¹
Rotation speed variable	50 – 100 %
Run-up time	75 s
Sound pressure level	≤48 dB(A)
Venting connection	G 1/8"
Weight	1.7 kg 3.75 lb

Order number	
HiPace® 80 Neo	PM P080 306 10

Accessories	
Adapters (electrical) RS-232/485	
Y-connector M12 for RS-485	P 4723 010
USB RS-485 converter	PM 061 207 -T
Coupling M12 for RS-485	PM 061 270 -X
Terminal resistor for RS-485	PT 348 105 -T
Power separator for RS-485	PT 348 132 -T
Cables Backing pump control cables	
HiPace – ACP connection cable	PM 071 142 -X
Connection cable MVP-TC-TPS, 3 m	PE 100 013 -T
Cables Connection cables	
Connection cable, angled, with RS-485 interface and two accessory ports from TC 80/110/120 to power supply pack, 3 m	PM 071 656 -T
Connection cable, angled, with RS-485 interface and two accessory ports from TC 80/110/120 to power supply pack, 1 m	PM 071 655 -T
Connection cable, angled, with RS-485 interface and two accessory ports from TC 80/110/120 to power supply pack, 5 m	PM 071 657 -T
Connection cable, angled, with RS-485 interface and two accessory ports from TC 80/110/120 to power supply pack, 10 m	PM 071 658 -T
Connection cable, angled, with RS-485 interface and two accessory ports from TC 80/110/120 to power supply pack, diode, 1 m	PM 071 760 -T
Connection cable, angled, with RS-485 interface and two accessory ports from TC 80/110/120 to power supply pack, diode, 3 m	PM 071 761 -T
Cables Extension cables	
Extension cable M8 on M8	PM 061 783 -T
Cables Mains cables / Power cords	
Mains cable 230 V AC, CEE 7/7 to C13, 3 m	P 4564 309 ZA
Mains cable 115 V AC, NEMA 5-15 to C13, 3 m	P 4564 309 ZE
Mains cable 208 V AC, NEMA 6-15 to C13, 3 m	P 4564 309 ZF
Cables RS-485 Interface cables	
Interface cable, M12 m straight/M12 m straight, 3 m	PM 061 283 -T
Interface cable, M12 m straight/ M12 m angled, 0.7 m	PM 061 791 -T
Control Devices Power supplies and control displays	
Accessories package for HPU 001/PC	PM 061 005 -T
TPS 180, power supply pack for wall/standard rail installation	PM 061 341 -T
TPS 181, power supply pack 19" plug-in unit 3HU	PM 061 345 -T
Front panel kit for TPS 181	PM 061 394 -T
OmniControl 200, rack unit with integrated power supply pack	PE D52 000 0
OmniControl 200, table unit with integrated power supply pack	PE E52 110 0
Cooling Air cooling	
Air cooling, shielded, for HiPace 80 Neo	PM Z01 367
Air cooling for HiPace 60/80, SplitFlow 50/80, 230 V	PM Z01 343
Air cooling for HiPace 60 P and 80, SplitFlow 50/80, 115 V	PM Z01 344
Air cooling for HiPace with Connection to M8	PM Z01 348
Air cooling, screened	PM Z01 369

Accessories	
Cooling Water cooling	
Water cooling for HiPace 80 Neo HiPace 30 Neo	PM 026 100 -T
Monitoring Pressure Sensors	
RPT 010, digital Piezo/Pirani sensor	PT R71 550
IKT 010, digital cold cathode sensor, low current	PT R72 550
IKT 011, digital cold cathode sensor, high current	PT R73 550
Mounting DN ISO-K, Mounting kits, bracket screws	
Mounting kit for HiPace 60/80, DN 63 ISO-K, including coated centering ring and bracket screws	PM 016 360 -T
Mounting kit for HiPace 60/80, DN 63 ISO-K, including coated centering ring, splinter shield and bracket screws	PM 016 361 -T
Mounting kit for HiPace 60/80, DN 63 ISO-K, including coated centering ring, protection screen and bracket screws	PM 016 362 -T
Mounting DN ISO-K, Mounting kits, claws	
Mounting kit for HiPace 60/80, DN 63 ISO-K, including coated centering ring and claws	PM 016 510 -T
Mounting kit for HiPace 60/80, DN 63 ISO-K, including coated centering ring, splinter and claw grips	PM 016 511 -T
Mounting kit for HiPace 60/80, DN 63 ISO-K, including coated centering ring with integrated protection screen and claw grips	PM 016 512 -T
Mounting DN ISO-K/F, sealings	
Centering ring with multifunction coating, DN 63 ISO-K/F	PM 016 206 -U
Mounting DN ISO-K/F Mounting kits	
Mounting kit for DN 63 ISO-K to ISO-F, with collar flange, coated centering ring, hexagon bolts	PM 016 930 -T
Mounting kit for DN 63 ISO-K to ISO-F, with collar flange, coated centering ring with splinter shield, hexagon bolts	PM 016 931-T
Mounting kit for DN 63 ISO-K to ISO-F, with collar flange, coated centering ring with protection screen, hexagon bolts	PM 016 932 -T
Mounting kit for DN 63 ISO-K to ISO-F, with collar flange, coated centering ring, stud screws	PM 016 935 -T
Mounting kit for DN 63 ISO-K to ISO-F, with collar flange, coated centering ring with splinter shield, stud screws	PM 016 936 -T
Mounting kit for DN 63 ISO-K to ISO-F, with collar flange, coated centering ring with protection screen, stud screws	PM 016 937 -T
Protection DN ISO-K/F, sealings, splinter shields, protection screens	
Centering ring with multifunction coating and integrated splinter shield, DN 63 ISO-K/F	PM 016 207 AU
Centering ring with multifunction coating and integrated protection screen, DN 63 ISO-K/F	PM 016 208 AU
Valves Fore-vacuum safety valves	
TVV 001, fore-vacuum safety valve, 230 V AC	PM Z01 205
TVV 001, fore-vacuum safety valve, 115 V AC	PM Z01 206
Venting Power failure venting units (normally open)	
Shielded power failure venting unit, 24 V DC, G 1/8", for connection to TC 110/120	PM Z01 330

Accessories	
Venting Venting accessories	
Flange with pipe thread, DN 16 ISO-KF, G 1/8"	PM 016 780 -T
Push-in fitting for 6 mm tube, G 1/8"	PM 016 781 -T
Push-in fitting for 8 mm tube, G 1/8"	PM 016 782 -T
Hose nozzle for 9 mm hose, G 1/8"	PM 016 783 -T
Banjo fitting	PM 016 787 -T
Banjo fitting, small	PM 143 877 -T
TTV 001, Drier for venting turbopumps	PM Z00 121
Venting Venting valves (normally closed)	
Venting valve, shielded, 24 V DC, G 1/8", for connection to TC 110/120	PM Z01 290
Venting valve, 24 V DC, G 1/8" without cable	PM Z01 293
Vibration Reduction Vibration dampers	
Vibration damper for HiPace 60/80, DN 63 ISO-K	PM 006 800 -X

VACUUM SOLUTIONS FROM A SINGLE SOURCE

Pfeiffer Vacuum stands for innovative and custom vacuum solutions worldwide, technological perfection, competent advice and reliable service.

COMPLETE RANGE OF PRODUCTS

From a single component to complex systems:

We are the only supplier of vacuum technology that provides a complete product portfolio.

COMPETENCE IN THEORY AND PRACTICE

Benefit from our know-how and our portfolio of training opportunities!

We support you with your plant layout and provide first-class on-site service worldwide.

Are you looking for a
perfect vacuum solution?
Please contact us:

Pfeiffer Vacuum GmbH
Headquarters · Germany
T +49 6441 802-0
info@pfeiffer-vacuum.de

www.pfeiffer-vacuum.com

All data subject to change without prior notice.

PFEIFFER  **VACUUM**